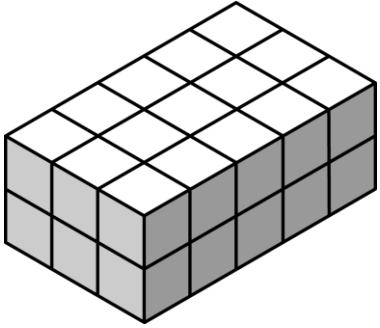


Math Review 4

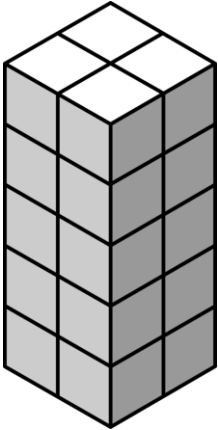
Find the volume of each rectangular prism. Solve the problems carefully and show your work.

1)



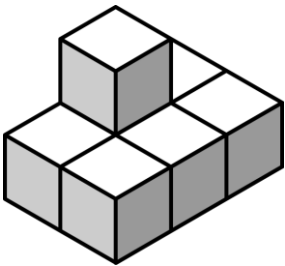
_____ units³

2)



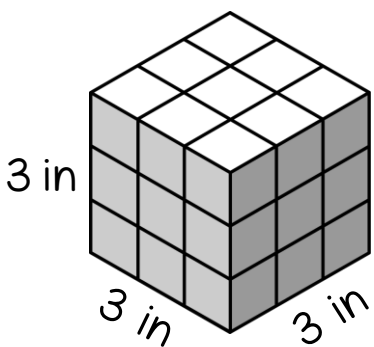
_____ units³

3)



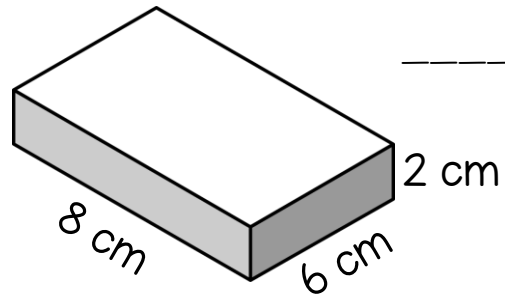
_____ units³

4)



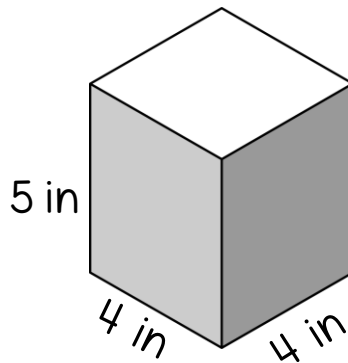
_____ in³

5)

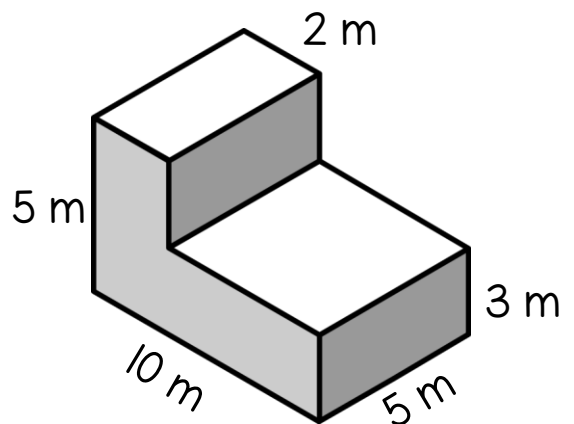


Label your answers!

6)



7)



- 8) Landon is at Pet Smart buying a new hamster cage for Roxy. The hamster cage he wants to buy measures 16 inches wide, 12 inches deep, and 10 inches tall.
What's the volume of the cage?

- 9) Landon is wondering if the hamster cage will fit on top of his dresser which is 20 inches wide and 14 inches deep.
Will the cage fit on Landon's dresser? Why or why not?

